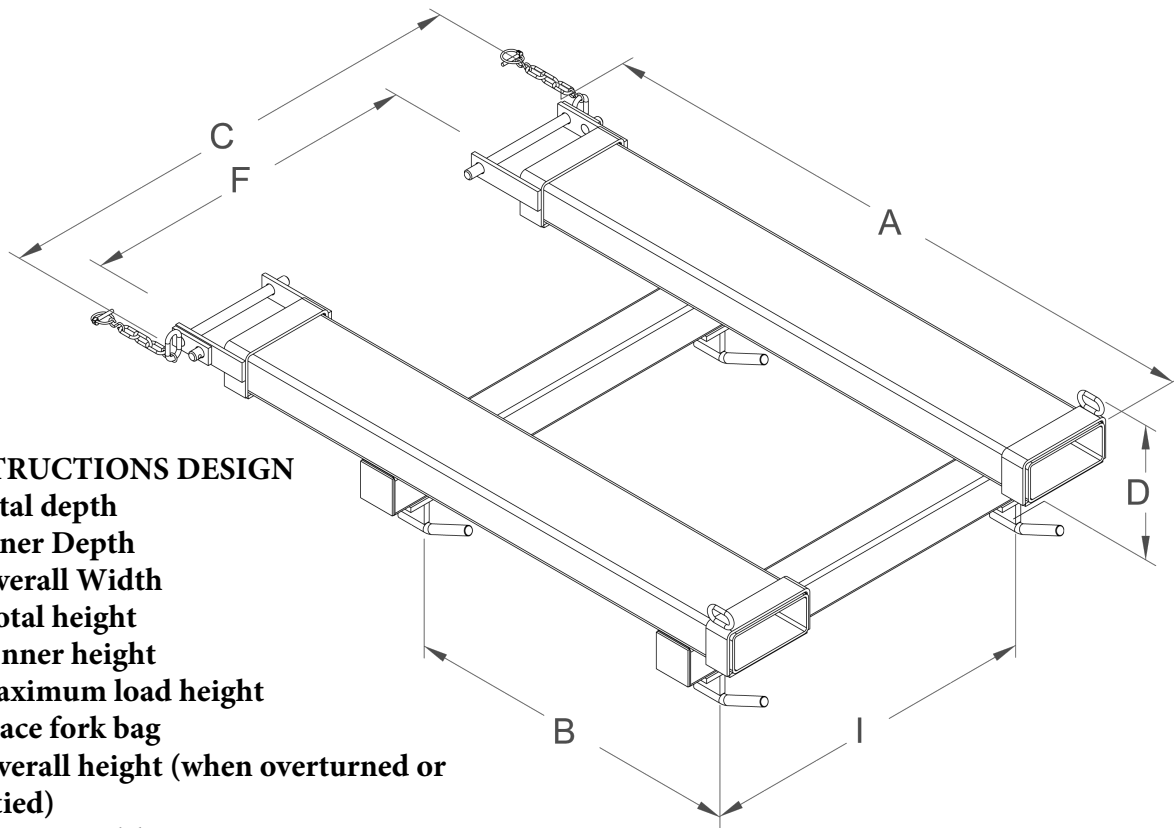


If the measurements are different from our own measurements, please let us know the exact measurements you want. So in this way we can make a good quote.

1 ° lifting fork sizes; Thickness, width and length.

2 ° We need, the model of the forklift and its technical characteristics.



**INSTRUCTIONS DESIGN**

- A: total depth
- B: Inner Depth
- C: Overall Width
- D: Total height
- D2: Inner height
- E: Maximum load height
- F: Space fork bag
- G: Overall height (when overturned or emptied)
- I: Interior width



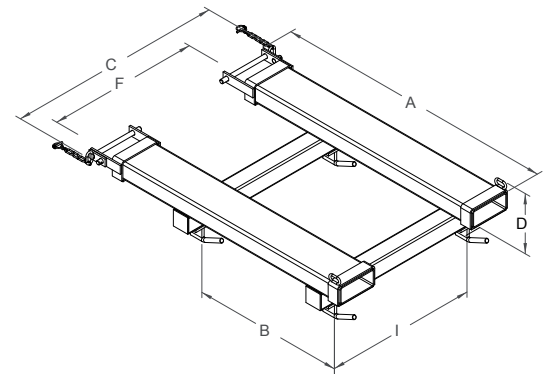
**2 MODELS:: HRS 4000 - HRS 6000**

**HRS 4000 :**  
4 hooks with safety latch for holding bigbag handles.

**HRS 6000 :**  
4 hooks with quick release..  
Safe handling.  
Maximum load: 2000 kg.

Direct mounting on forks with fork heel locking device.

Fork aperture 170 x 70 mm and fork spacing (F) can be modified on request.



**CAPACITY  
KG**

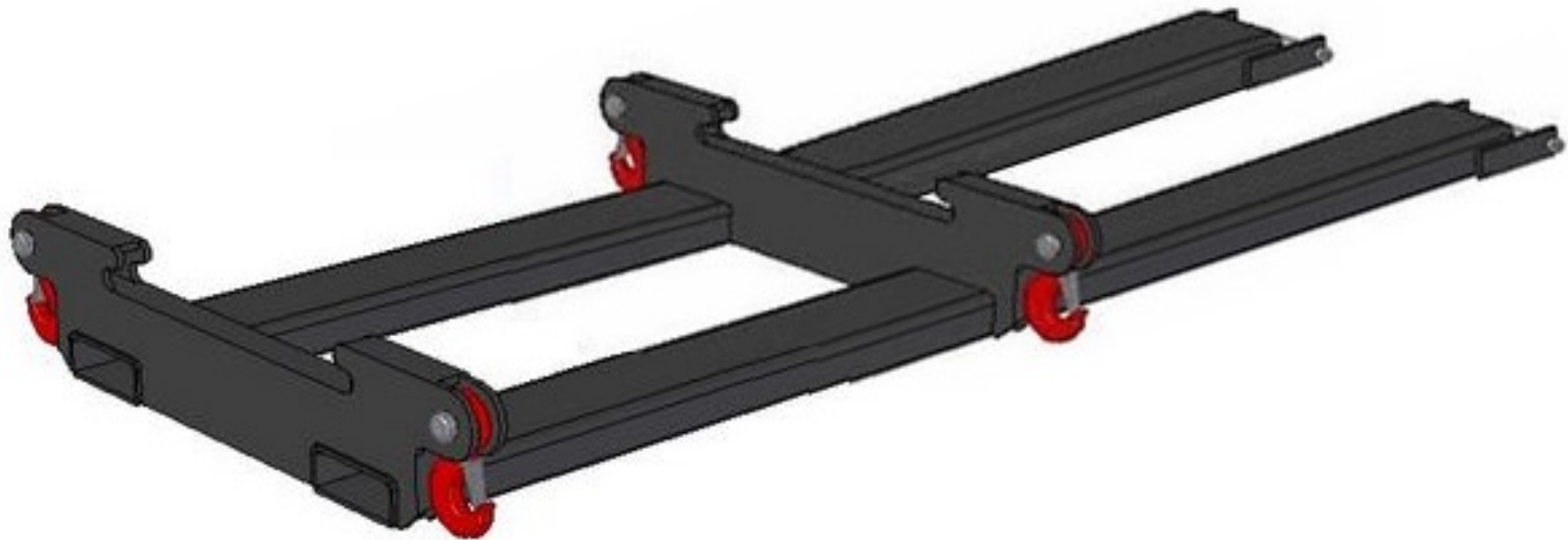
CAPACITY KG	A	B	C	I	D	F	RAL WEIGHT - COLOR
2000	1300	700	1000	700	250	700	80 - ?

**2000 - 1300 - 700 - 1000 - 700 - 370 - 700 - 100 - ?**

***Dimensions in mm (basic model).***

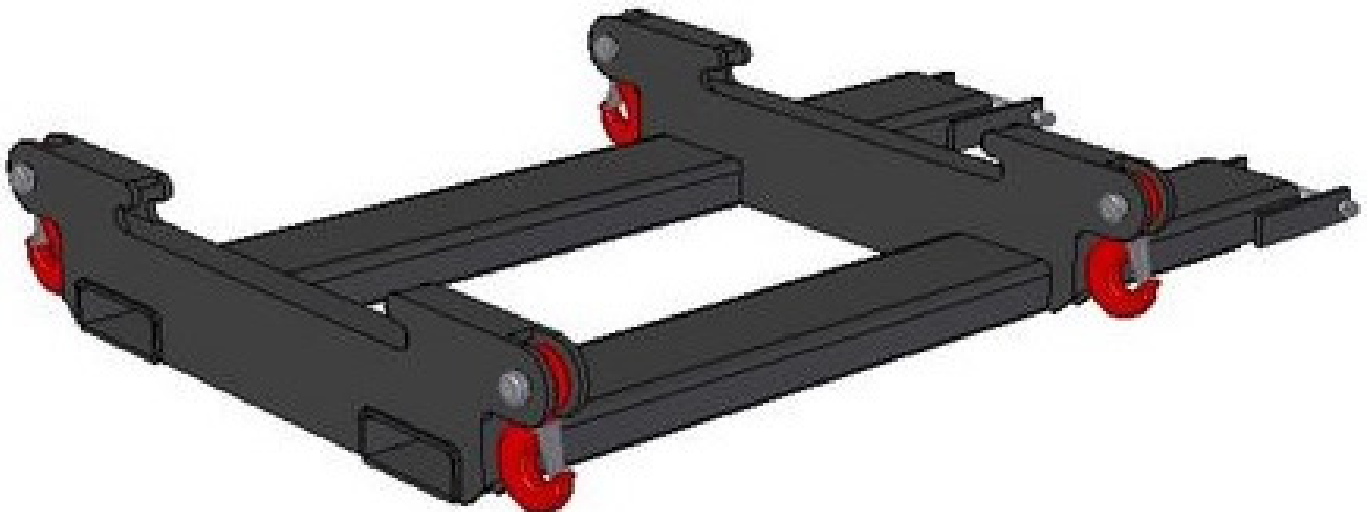
**Special constructions and other dimensions on request.**

**Big Bag Fork Truck Attachment  
ELSTI15L MODEL  
STRUCTURAL CAPACITY 1.000 KG. DISTRIBUTED ON  
THE 4 HOOK POINTS  
(center of gravity 850 MM. FROM THE  
FORKS).  
LENGTH: 2.000 MM.**



---

**Big Bag Fork Truck Attachment  
MODELL ELSTI15  
STRUCTURAL CAPACITY 1.500 KG.  
DISTRIBUTED ON THE 4 HOOK POINTS  
(center of gravity 850 MM. FROM THE  
FORKS).  
LENGTH: 1.300 MM.**



# Forklift Lifting Hook

*Sturdy forklift parts, attachments, and accessories from "Equipmentliftingsystems" can make loading, unloading and transporting items quicker and easier in the warehouse, at the jobsite and on the dock. Use forklift attachments to lift and transport heavy and oddly shaped materials. Heavy duty forklift rams and booms allow you to move coils, carpet, and pipes to get the most use out of your forklift. Get forklift extensions to for added length and use.*

## Customized Forklift Attachments

For picking up drums, cylinders and a wide variety of customized handling requirements. Send us your drawings or work with our engineers to design a custom made attachment to suit your application.

Forklift Lifting Hook



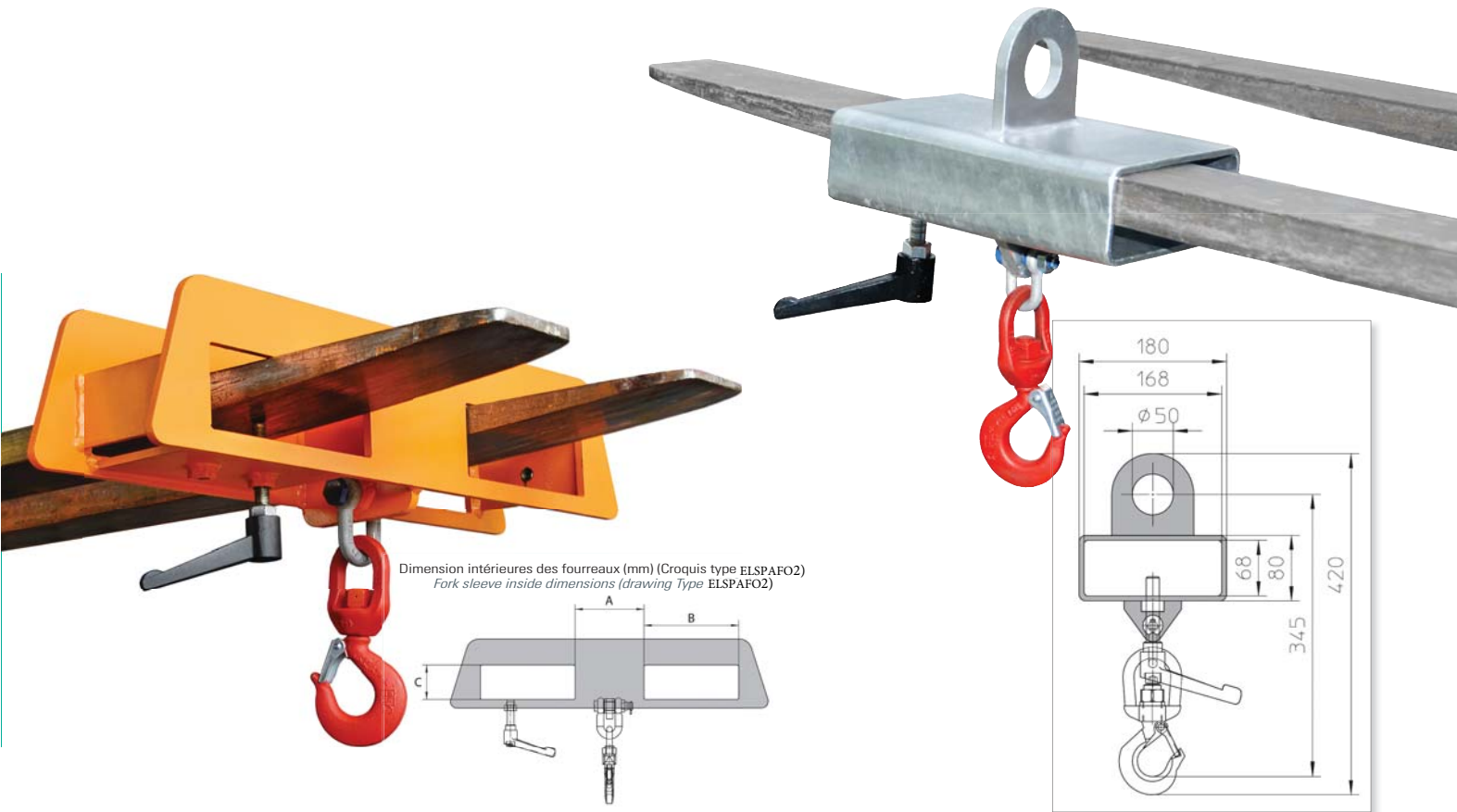
MODEL	CAPACITY KG	WIDTH mm	HEIGHT mm	P mm	TARE KG
<i>ELSGSM-1</i>	<i>1000</i>	<i>150</i>	<i>70</i>	<i>150</i>	<i>8</i>
<i>ELSGSM-2</i>	<i>2000</i>	<i>190</i>	<i>90</i>	<i>150</i>	<i>15</i>
<i>ELSGSM-3</i>	<i>3000</i>	<i>190</i>	<i>90</i>	<i>150</i>	<i>20</i>

Forklift Lifting Hook



MODEL	CAPACITY KG	WIDTH mm	HEIGHT mm	P mm	TARE KG
<i>ELSGM-2</i>	<i>2000</i>	<i>420</i>	<i>180</i>	<i>90</i>	<i>25</i>
<i>ELSGM-3</i>	<i>3000</i>	<i>440</i>	<i>200</i>	<i>100</i>	<i>30</i>
<i>ELSGM-5</i>	<i>5000</i>	<i>440</i>	<i>200</i>	<i>100</i>	<i>35</i>

PALONNIER POUR FOURCHES DE CHARIOT ÉLÉVATEUR  
LIFTING BEAM FOR FORKLIFT



**Description**

Prise et transport de lourdes charges en toute

sécurité Type ELSPAFO1

- Prise pour 1 fourche et grue.
- Sécurisé contre le glissement inintentionnel.
- Avec crochet.
- Charge admissible 1 000 kg.

Type ELSPAFO2

- Prises pour 2 fourches (compatibles gerbeurs).
- Sécurisé anti-glissement pour différentes longueurs de fourches.
- Avec crochet à emerillon et linguet de sécurité.
- Charges admissibles différentes.

**Description**

Secure pick-up and transport of heavy duty goods

Type ELSPAFO1

- Suitable for 1 fork sleeve or crane.
- Can be secured to prevent slipping.
- With rotating hook.
- Load capacity 1 000 kg.

Type ELSPAFO2

- Suitable for 2 fork sleeves (also for straddle stackers).
- Can be secured to prevent slipping for different breadth of forks.
- With rotating hook.
- Different load capacities.

Type	CMU	Dimension (LxPxH)	Poids laqué	Dimensions intérieures des fourreaux		
				Dimension		
Type	Max capacity	Dimension	Weight	A	B	C
	m	mm	Kg	mm	mm	mm
ELSPAFO1	1000	300 x 180 x 325	10	-	168	68
ELSPAFO2 1,5	1500	170 x 750 x 360	21	160	220	80
ELSPAFO2 2,5	2500	170 x 750 x 390	22	160	220	80
ELSPAFO2 5,0	5000	180 x 750 x 460	31	160	220	80
ELSPAFO2 7,5	7500	180 x 750 x 510	35	160	220	80

**OPTIONS**

Peinture | *Painting*

RAL 2000 | *RAL 2000*

Galvanisé | *Galvanized*